

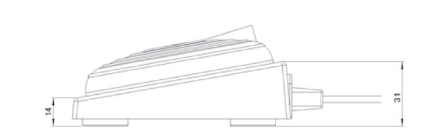
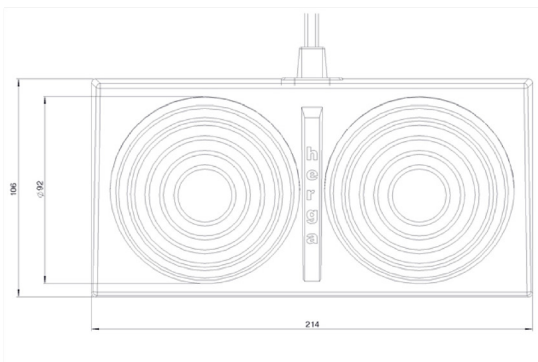


- ▶ **Angled base for ease of use**
- ▶ **Variety of colour options for OEM applications**
- ▶ **Ideal for dirty environments**
- ▶ **Lightweight or heavyweight bases available**

Specifications	
Standards/approvals	N/A
Connection method	Twin tubing 1.5mm I/D
Electrical rating	N/A
Contact configuration	N/A
Operating temperature range	-10° C to +40° C
Body material	Thermoplastic
Weight	0.3Kg or 0.6Kg
Pressure range	Works with 6871, 6872, 6773, 6753, 6891, 6893, 6861, 6862, 6863, 6864, 6869 – dependent on tube length

Recommended depression time is 30 seconds, for applications requiring a greater period please contact sales to discuss further.

Dimensions





Ordering information

(Please use the characters in the chart below to create your product code)

Sample Code 6447 - A B C D - A Z C B

Base colour option

- A Grey
- B Black
- C White

Divider colour option

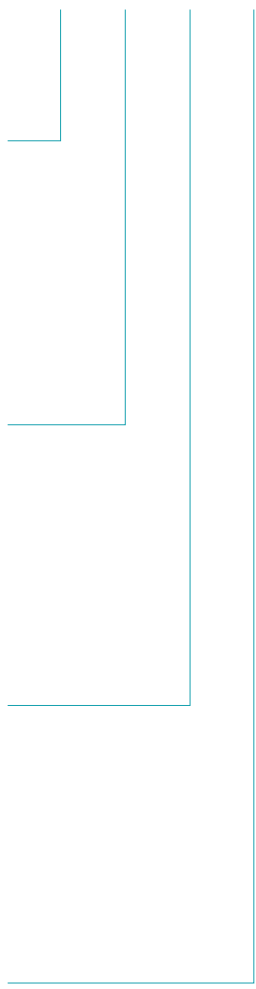
- A Grey with Herga logo
- B Grey without Herga logo (plain surface)
- C Black with Herga logo
- D Black without Herga logo
- E White with Herga logo
- F White without Herga logo

Left hand bellows colour

- A Black
- B Grey
- C White
- D Red
- E Green

Right hand bellows colour

- A Black
- B Grey
- C White
- D Red
- E Green



If you require a customized solution for your program contact our sales team.



Ordering information

(Please use the characters in the chart below to create your product code)

Sample Code 6447 - A B C D - A Z C B

Weight

- A Lightweight (0.3kg)
- B Weighted (0.6kg)

Tube identification

- A Green label in heartsink at the end of the tubing, identifying left hand bellows
- Z No identification provided

Tube length

- A 2m
- B 3m
- C 4m
- D 5m
- E 6m
- F 10m
- G Curly coil tube

Right hand bellows colour

- A Grey twin tubing, straight, 1.5mm I/D
- B Grey twin tubing, curly coil*, 1.5mm I/D

*Coiled length 0.9m, extended 2.4m (please select option **G** from tube length below)

If you require a customized solution for your program contact our sales team.